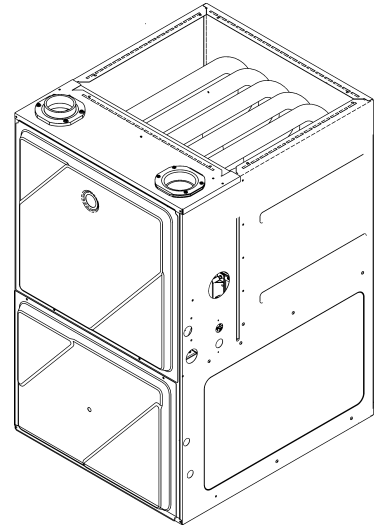

GM9C 96% Multi-Speed ECM Up Flow Furnace

GM9C960303ANAA
GM9C960303ANAB
GM9C960403ANAA
GM9C960403ANAB
GM9C960603ANAA
GM9C960603ANAB
GM9C960603BNAA
GM9C960603BNAB
GM9C960803BNAA
GM9C960803BNAB
GM9C960804CNAA
GM9C960804CNAB
GM9C961004CNAA
GM9C961004CNAB
GM9C961005CNAA
GM9C961005CNAB
GM9C961205DNAA
GM9C961205DNAB



This manual is to be used by qualified technicians only.

This manual replaces RP-G2341

© 2021 - 2022 Goodman Manufacturing Company, L.P. ♦ 19001 Kermier Rd. ♦ Waller, TX 77484

Important Information

Index

Functional Parts List	3
Illustration and Parts	4 - 11

Views shown are for parts illustrations only, not servicing procedures.

Text Codes:

AR - As Required

NA - Not Available

NS - Not Shown

00000000 - See Note

QTY - Quantity Example (QTY 3) (If Quantity not shown, Quantity = 1)

M - Model Example (M1) (If M Code not shown, then part is used on all Models)

Expanded Model Nomenclature:

Example M1 - Model#1 M2 - Model#2 M3 - Model#3

Goodman Manufacturing Company, L.P. is not responsible for personal injury or property damage resulting from improper service. Review all service information before beginning repairs.

Warranty service must be performed by an authorized technician, using authorized factory parts. If service is required after the warranty expires, Goodman Manufacturing Company, L.P. also recommends contacting an authorized technician and using authorized factory parts.

Goodman Manufacturing Company, L.P. reserves the right to discontinue, or change at any time, specifications or designs without notice or without incurring obligations.

For assistance within the U.S.A. contact:
Homeowner Support
Goodman Manufacturing Company, L.P.
19001 Kermier Road
Waller, Texas 77484
877-254-4729-Telephone
713-863-2382-Facsimile

For assistance outside the U.S.A. contact:
International Division
Goodman Manufacturing Company, L.P.
19001 Kermier Road
Waller, Texas 77484
713-861-2500-Telephone
713-863-2382-Facsimile

Functional Parts

Part

No: Description:

Part No:	Description:	Part No:	Description:
20162904	*PRIMARY LIMIT-TEMPERATURE CONTROL (M9, M10, M11, M12)	0130F00643	PRESSURE SWITCH (M1, M2)
PCBBF167	2 STAGE IFC (M2, M4, M6, M8, M10, M12, M14, M16, M18)	20162903	PRIMARY LIMIT - BLUE (M1, M2, M3, M4, M5, M6, M15, M16)
0257F00445	ASSY, HEAT EXCHANGER (M5, M6)	0130F00036	PRIMARY LIMIT - PINK 180° (M17, M18)
0257F00444	ASSY, HEAT EXCHANGER (M1, M2)	20162906	PRIMARY LIMIT - WHITE (M7, M8, M13, M14)
0257F00442	ASSY, HEAT EXCHANGER (M3, M4)	0130F00443	SWITCH, PRESSURE (M11, M12, M15, M16)
0130F00038	AUX LIMIT - LT BLUE 120° (QTY 2)	0130F00434	SWITCH, PRESSURE (M13, M14)
0163F00017	BECKETT BURNER (QTY 2)	0130F00436	SWITCH, PRESSURE (M9, M10)
PCBBF164	CIRCUIT BOARD FURNACE (M1, M3, M5, M7, M9, M11, M13, M15, M17)	0130F00445	SWITCH, PRESSURE (M17, M18)
0130F00010	FLAME SENSOR	0130F00435	SWITCH, PRESSURE (M7, M8)
0151M00027	GAS VALVE	0130M00140	TRANSFORMER 120V TO 24V, 40VA
0257F00393	HEAT EXCHANGER ASSY (M13, M14)		
0257F00333	HEAT EXCHANGER ASSY (M17, M18)		
0257F00240	HEAT EXCHANGER ASSY (M11, M12)		
0257F00379	HEAT EXCHANGER ASSY (M9, M10)		
0257F00396	HEAT EXCHANGER ASSY (M15, M16)		
0257F00374	HEAT EXCHANGER ASSY (M7, M8)		
0171M00007	ID BLOWER, 2 Stg (M1, M2, M3, M4, M5, M6)		
0130F00008	IGNITOR-SINI 17 SEC		
0130M00243	INTERLOCK SWITCH		
10123527	MANUAL RESET LIMIT - ROS (M17, M18)		
10123534	MANUAL RESET LIMIT - ROS (M13, M14, M15, M16)		
10123539	MANUAL RESET LIMIT - ROS (M7, M8, M11, M12)		
10123538	MANUAL RESET LIMIT - ROS (M1, M2, M3, M4)		
10123517	MANUAL RESET LIMIT - ROS (M5, M6)		
0130F00123	MANUAL RESET LIMIT - ROS (M9, M10)		
0271F00507	MORRISON 11 X 10 BLOWER (M11, M12, M13, M14, M15, M16)		
0271F00508	MORRISON 11 X 11 BLOWER (M17, M18)		
0271F00506	MORRISON 11 X 8 BLOWER (M7, M8, M9, M10)		
0131F00114M	MOTOR 1 HP W/O CONTROLLER (M13, M14, M15, M16, M17, M18)		
0131F00112M	MOTOR 1/2 HP W/O CONTROLLER (M1, M2, M3, M4, M5, M6, M7, M8, M9, M10)		
0131F00113M	MOTOR 3/4 HP W/O CONTROLLER (M11, M12)		
0131F00232	MOTOR PROGRAMMED (M1, M2)		
0131F00233	MOTOR PROGRAMMED (M3, M4)		
0131F00240	MOTOR PROGRAMMED (M17, M18)		
0131F00239	MOTOR PROGRAMMED (M15, M16)		
0131F00238	MOTOR PROGRAMMED (M13, M14)		
0131F00237	MOTOR PROGRAMMED (M11, M12)		
0131F00235	MOTOR PROGRAMMED (M7, M8)		
0131F00234	MOTOR PROGRAMMED (M5, M6)		
0131F00236	MOTOR PROGRAMMED (M9, M10)		
0171M00002	MOTOR-ID, BLOWER (M7, M8, M9, M10, M11, M12, M13, M14, M15, M16, M17, M18)		
0130F00429	PRESSURE SWITCH (M7, M8, M9, M10, M11, M12, M13, M14, M15, M16, M17, M18)		
0130F00646	PRESSURE SWITCH (M5, M6)		
0130F00647	PRESSURE SWITCH (M1, M2, M3, M4)		
0130F00644	PRESSURE SWITCH (M3, M4)		
0130F00645	PRESSURE SWITCH (M5, M6)		

SPECIAL PARTS

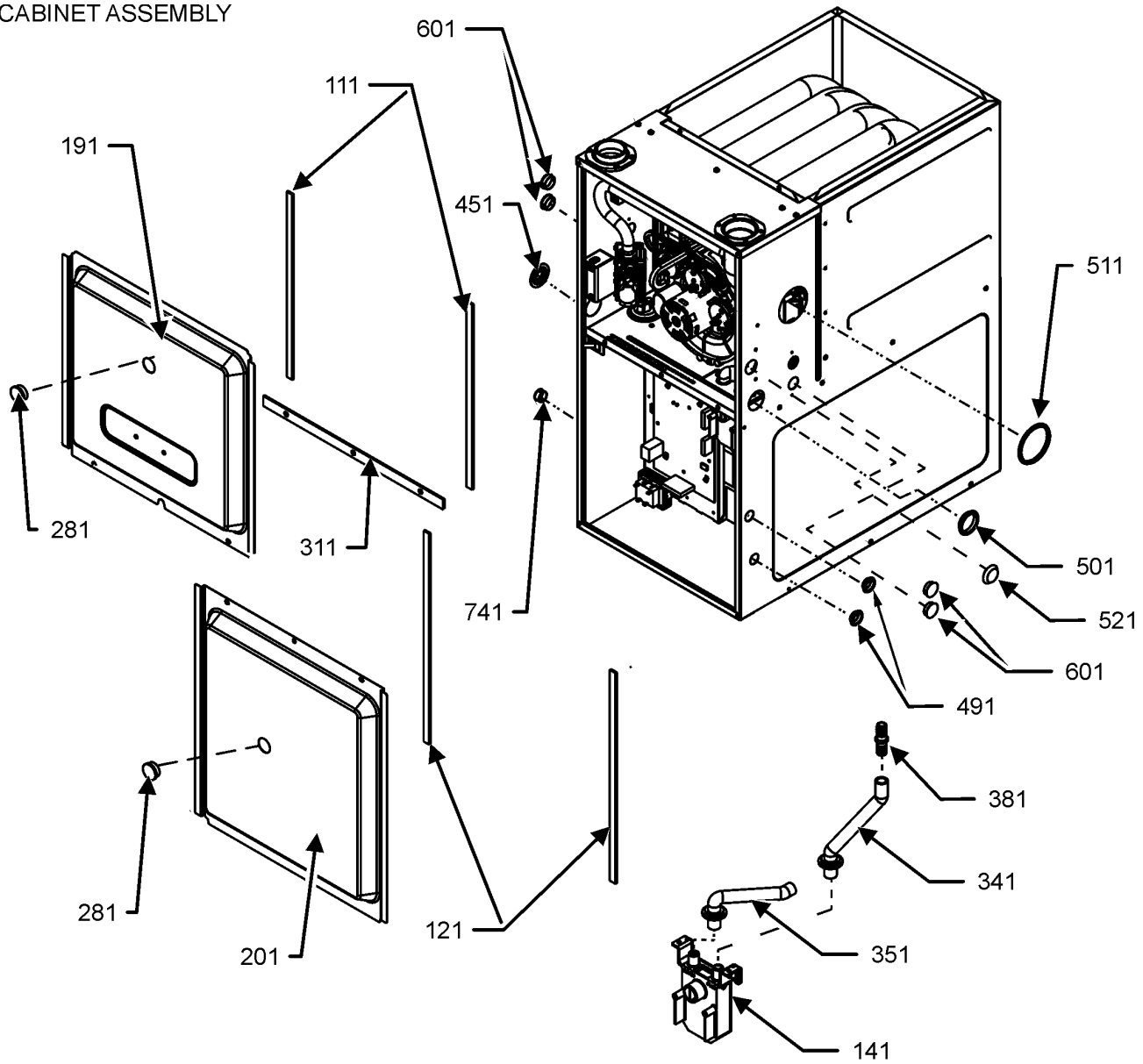
0161F00086 NAMEPLATE, GOODMAN

Expanded Model Nomenclature

M1 - GM9C960303ANAA
M2 - GM9C960303ANAB
M3 - GM9C960403ANAA
M4 - GM9C960403ANAB
M5 - GM9C960603ANAA
M6 - GM9C960603ANAB
M7 - GM9C960603BNAA
M8 - GM9C960603BNAB
M9 - GM9C960803BNAA
M10 - GM9C960803BNAB
M11 - GM9C960804CNAA
M12 - GM9C960804CNAB
M13 - GM9C961004CNAA
M14 - GM9C961004CNAB
M15 - GM9C961005CNAA
M16 - GM9C961005CNAB
M17 - GM9C961205DNAA
M18 - GM9C961205DNAB

Cabinet Assembly

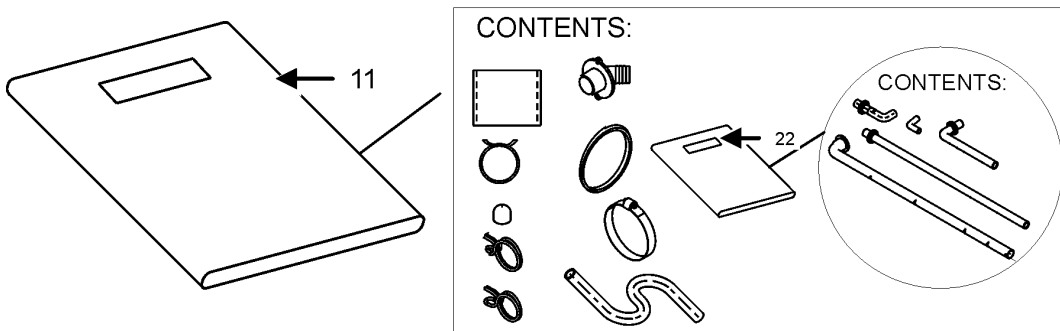
CABINET ASSEMBLY



CABINET ASSEMBLY MAY DIFFER FROM WHAT IS SHOWN

DRAIN TRAP ASSEMBLY

DRAIN KIT ASSEMBLY

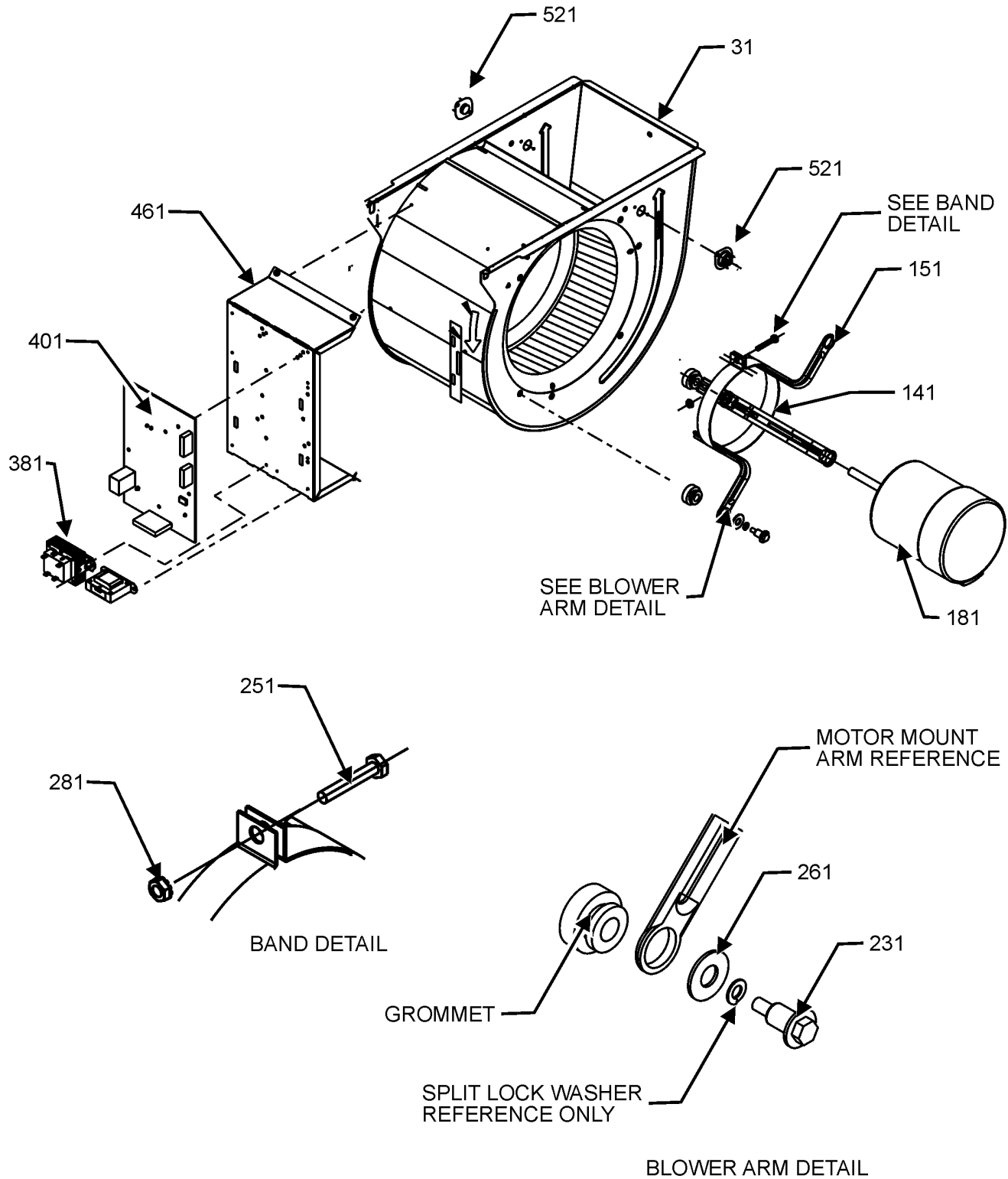


Cabinet Assembly

Ref. Part No:	Part No:	Description:	Ref. Part No:	Part No:	Description:
Image 1:			Expanded Model Nomenclature		
11	0270F05402	DRAIN KIT ASSY	M1	-	GM9C960303ANAA
21	0270F05402	DRAIN KIT ASSY	M2	-	GM9C960303ANAB
111	0154F00024	GASKET (QTY 2)	M3	-	GM9C960403ANAA
121	0154F00025	GASKET (QTY 2)	M4	-	GM9C960403ANAB
141	0161F00046	DRAIN TRAP	M5	-	GM9C960603ANAA
191	0121F00291DG	DOOR, ACCESS 17.5 PNT (M7, M8, M9, M10)	M6	-	GM9C960603ANAB
191	0121F00292DG	DOOR, ACCESS 21 PNT (M11, M12, M13, M14, M15, M16)	M7	-	GM9C960603BNAA
191	0121F00293DG	DOOR, ACCESS 24.5 PNT (M17, M18)	M8	-	GM9C960603BNAB
191	0121F00674DG	PNT, DOOR, ACCESS 14" (M1, M2, M3, M4, M5,	M9	-	GM9C960803BNAA
201	0121F00288DG	DOOR, BLOWER 17.5 PNT (M7, M8, M9, M10)	M10	-	GM9C960803BNAB
201	0121F00289DG	DOOR, BLOWER 21 PNT (M11, M12, M13, M14, M15, M16)	M11	-	GM9C960804CNAA
201	0121F00290DG	DOOR, BLOWER 24.5 PNT (M17, M18)	M12	-	GM9C960804CNAB
201	0121F00672DG	PNT, DOOR, BLOWER 14" (M1, M2, M3, M4, M5, M6)	M13	-	GM9C961004CNAA
281	B1392139	VIEW PORT BUSHING-BLOWER DOOR (QTY 2)	M14	-	GM9C961004CNAB
311	0154F00020	GASKET, DECK (M7, M8, M9, M10)	M15	-	GM9C961005CNAA
311	0154F00021	GASKET, DECK (M11, M12, M13, M14, M15, M16)	M16	-	GM9C961005CNAB
311	0154F00022	GASKET, DECK (M17, M18)	M17	-	GM9C961205DNAA
311	0154F00063	GASKET, DECK (M1, M2, M3, M4, M5, M6)	M18	-	GM9C961205DNAB
341	0164F00017	HOSE-ELBOW/TRAP			
351	0164F00020	DRAIN HOSE (M1, M2, M3, M4, M5, M6)			
351	0164F00006	HOSE, COVER/TRAP (M17, M18)			
351	0164F00024	HOSE, COVER/TRAP (M7, M8, M9, M10, M11, M12, M13, M14, M15, M16)			
381	0161F00047	COUPLING, HOSE BARBED			
451	M0501301	PIPE GROMMET			
491	M0570808	BUTTON PLUG (QTY 3)			
501	M0570806	BUTTON PLUG			
511	M0570807	BUTTON PLUG			
521	0161M00027	PLUG, HOLE			
601	B1392021	PLASTIC PLUG, 1" (2713-BLK) (QTY 4)			
741	B1392104	UNIVERSAL BUSHING UB 875			
NS	M0310345	BUTTON PLUG (QTY 2)			
NS	0163M00319	HEX NUT-INSERT (QTY 3)			
NS	0161F00086	NAMEPLATE, GOODMAN			
NS	M0273904	RETAINER-SCREW (QTY 3)			
NS	M0209730	SCREW-DECORATIVE (QTY 3)			

Blower Assembly

BLOWER ASSEMBLY



BLOWER ASSEMBLY MAY DIFFER FROM WHAT IS SHOWN

Blower Assembly

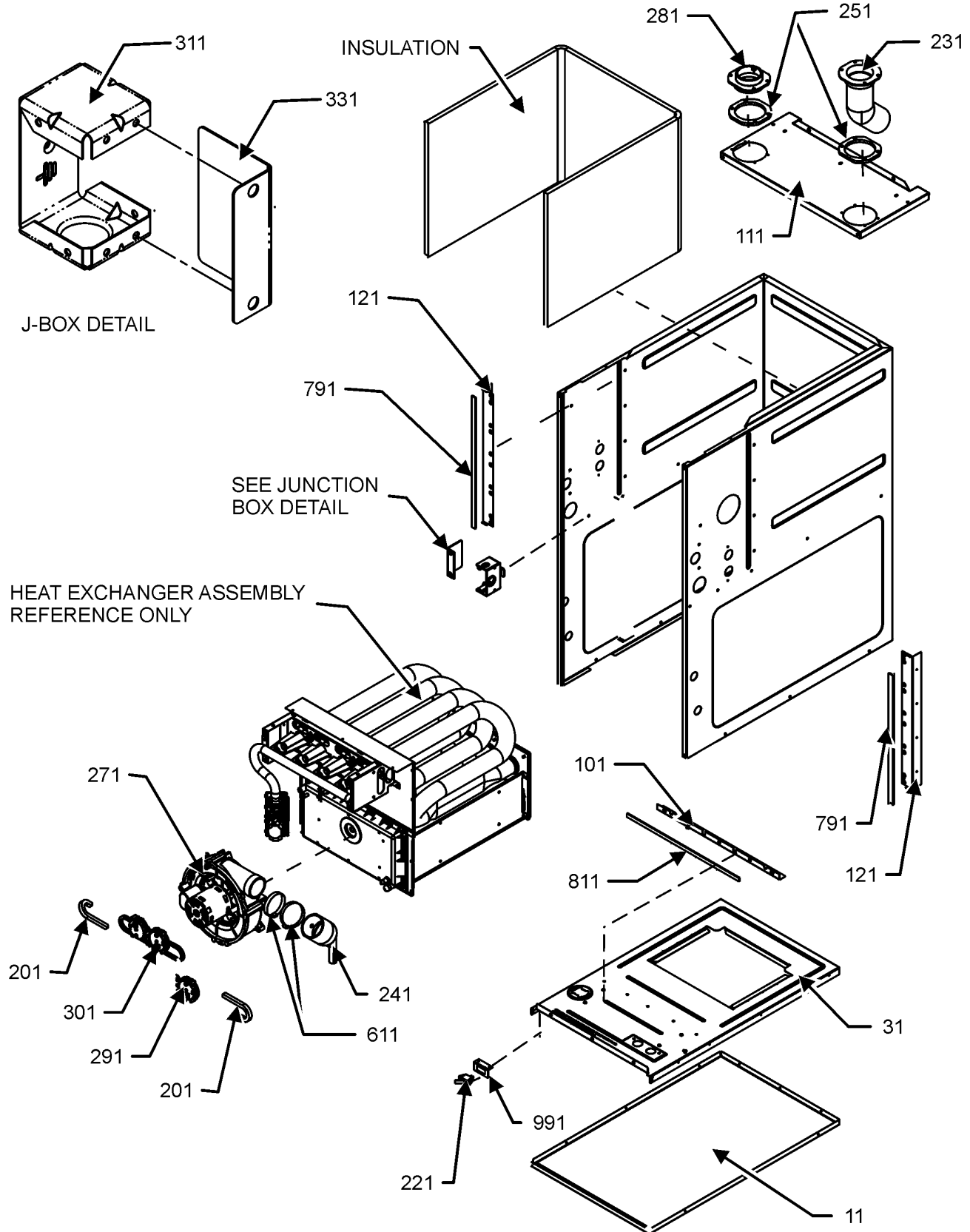
Ref. Part No:	Ref. Part No:	Description:	Description:
Image 1:		Expanded Model Nomenclature	
31	0271F00322	BLOWER SHELL & WHEEL ASSY (M1, M2, M3, M4, M5, M6)	M1 - GM9C960303ANAA M2 - GM9C960303ANAB M3 - GM9C960403ANAA M4 - GM9C960403ANAB M5 - GM9C960603ANAA M6 - GM9C960603ANAB M7 - GM9C960603BNAA M8 - GM9C960603BNAB M9 - GM9C960803BNAA M10 - GM9C960803BNAB M11 - GM9C960804CNAA M12 - GM9C960804CNAB M13 - GM9C961004CNAA M14 - GM9C961004CNAB M15 - GM9C961005CNAA M16 - GM9C961005CNAB M17 - GM9C961205DNAA M18 - GM9C961205DNAB
31	0271F00507	MORRISON 11 X 10 BLOWER (M11, M12, M13, M14, M15, M16)	
31	0271F00508	MORRISON 11 X 11 BLOWER (M17, M18)	
31	0271F00506	MORRISON 11 X 8 BLOWER (M7, M8, M9, M10)	
141	0121M00039	MOUNT BAND, MOTOR (HEAVY DUTY)	
151	0163M00538	MOUNT ARM, MOTOR (QTY 3)	
181	0131F00114M	MOTOR 1 HP W/O CONTROLLER (M13, M14, M15, M16, M17, M18)	
181	0131F00112M	MOTOR 1/2 HP W/O CONTROLLER (M1, M2, M3, M4, M5, M6, M7, M8, M9, M10)	
181	0131F00113M	MOTOR 3/4 HP W/O CONTROLLER (M11, M12)	
181	0131F00232	MOTOR PROGRAMMED (M1, M2)	
181	0131F00233	MOTOR PROGRAMMED (M3, M4)	
181	0131F00234	MOTOR PROGRAMMED (M5, M6)	
181	0131F00235	MOTOR PROGRAMMED (M7, M8)	
181	0131F00236	MOTOR PROGRAMMED (M9, M10)	
181	0131F00237	MOTOR PROGRAMMED (M11, M12)	
181	0131F00238	MOTOR PROGRAMMED (M13, M14)	
181	0131F00239	MOTOR PROGRAMMED (M15, M16)	
181	0131F00240	MOTOR PROGRAMMED (M17, M18)	
231	M0250565	TC SCREW 1.25" (QTY 3)	
251	0163M00320	HEX HEAD ALL THREAD TAP BOLT	
261	B1392918	WASHER, FLAT 1/4 ID X 1 OD (QTY 3)	
281	B1393800	LOCKNUT, NYLON, INSERT 1/4, 20	
381	0130M00140	TRANSFORMER 120V TO 24V, 40VA	
401	PCBBF167	2 STAGE IFC (M2, M4, M6, M8, M10, M12, M14, M16, M18)	
401	PCBBF164	CIRCUIT BOARD FURNACE (M1, M3, M5, M7, M9, M11, M13, M15, M17)	
461	0121F00464	MOUNTING PLATE-CONTROLS	
521	0130F00038	AUX LIMIT - LT BLUE 120° (QTY 2)	
NS	0159F00160	CTM, MOTOR HARNESS	
NS	M0282015	KEPS NUT (M13, M14, M15, M16, M17, M18)	
NS	M0267144	MACHINE SCREW (M13, M14, M15, M16, M17, M18)	
NS	B1392021	PLASTIC PLUG, 1" (2713-BLK) (QTY 4)	
NS	B1392820	WASHER, SPLIT LOCK 1/4 BZ (M13, M14, M15, M16, M17, M18)	
NS	0259F00024	WIRE HARNESS-BLOWER	

Programed Motor controllers are not supplied with the Motor Shaft end, use the following:

0131F00112M	MOTOR 1/2 HP W/O CONTROLLER
0131F00113M	MOTOR 3/4 HP W/O CONTROLLER
0131F00114M	MOTOR 1 HP W/O CONTROLLER

Chassis Assembly

CHASSIS ASSEMBLY



CHASSIS ASSEMBLY MAY DIFFER FROM WHAT IS SHOWN

Chassis Assembly

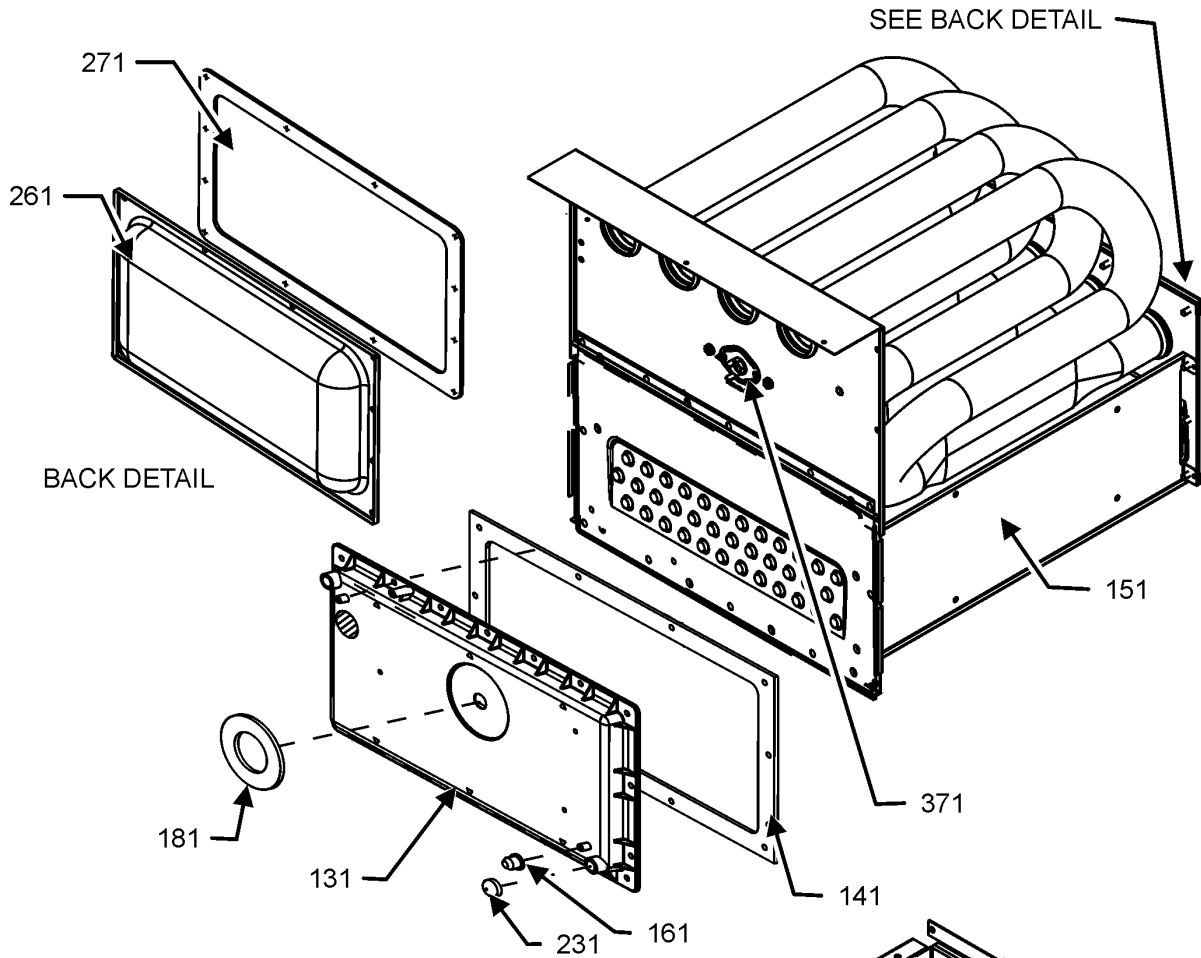
Ref. Part No:	Ref. Part No:	Description:	Description:
Image 1:		Image 1:	
11	0121F00530DG	BASEPAN, 17.5 (M7, M8, M9, M10)	NS 0160F00015 INSULATION, HT EXCHANGER 17.5" (M7, M8, M9, M10)
11	0121F00531DG	BASEPAN, 21 PNT (M11, M12, M13, M14, M15, M16)	
11	0121F00532DG	BASEPAN, 24.5 PNT (M17, M18)	NS 0160F00016 INSULATION, HT EXCHANGER 21" (M11, M12, M13, M14, M15, M16)
11	0121F00664DG	BASEPAN, 14 PNT (M1, M2, M3, M4, M5, M6)	
31	0121F00766	DECK- BLOWER 17.5" (M7, M8, M9, M10)	NS 0160F00017 INSULATION, HT EXCHANGER 24.5" (M17, M18)
31	0121F00767	DECK- BLOWER 21" (M11, M12, M13, M14, M15, M16)	NS M0326804 PLUG-TUBE
			NS 0159F00140 WIRE HARNESS (M1, M2, M3, M4)
			NS 0159F00141 WIRE HARNESS (M5, M6, M7, M8, M9, M10, M11, M12, M13, M14, M15, M16, M17, M18)
31	0121F00768	DECK- BLOWER 24.5" (M17, M18)	
31	0121F00663	DECK, BLOWER 14" (M1, M2, M3, M4, M5, M6)	
101	0121F00314	ANGLE, DECK (M7, M8, M9, M10)	
101	0121F00315	ANGLE, DECK (M11, M12, M13, M14, M15, M16)	
101	0121F00316	ANGLE, DECK (M17, M18)	
101	0121F00661	ANGLE, DECK (M1, M2, M3, M4, M5, M6)	
111	0121F00279DG	PAINTED TOP, FURNACE 17.5 (M7, M8, M9, M10)	
111	0121F00280DG	PAINTED TOP, FURNACE 21 (M11, M12, M13, M14, M15, M16)	
111	0121F00281DG	PAINTED TOP, FURNACE 24.5 (M17, M18)	
111	0121F00662DG	PNT, FURNACE TOP 14" (M1, M2, M3, M4, M5, M6)	
121	0121F00313	ANGLE, SIDE (QTY 2)	
201	0164M00121	HOSE- PRESSURE SW 16" (M1, M2, M3, M4, M5, M6)	
201	0164M00115	HOSE- PRESSURE SW 6" (M7, M8, M9, M10, M11, M12, M13, M14, M15, M16, M17, M18)	
201	0164M00116	HOSE- PRESSURE SW 7" (M1, M2, M3, M4, M5,	
221	0130M00243	INTERLOCK SWITCH	
231	0164F00002	FLUE PIPE W/BEND	
241	0164F00025	ELBOW-FLUE,UPFLOW	
251	0154F00041	FRESH AIR GASKET	
271	0171M00007	ID BLOWER, 2 Stg (M1, M2, M3, M4, M5, M6)	
271	0171M00002	MOTOR-ID, BLOWER (M7, M8, M9, M10, M11, M12, M13, M14, M15, M16, M17, M18)	
281	0161F00037	COUPLING	
291	0130F00429	PRESSURE SWITCH (M7, M8, M9, M10, M11, M12, M13, M14, M15, M16, M17, M18)	
291	0130F00646	PRESSURE SWITCH (M5, M6)	
291	0130F00647	PRESSURE SWITCH (M1, M2, M3, M4)	
301	0130F00643	PRESSURE SWITCH (M1, M2)	
301	0130F00644	PRESSURE SWITCH (M3, M4)	
301	0130F00645	PRESSURE SWITCH (M5, M6)	
301	0130F00434	SWITCH, PRESSURE (M13, M14)	
301	0130F00435	SWITCH, PRESSURE (M7, M8)	
301	0130F00436	SWITCH, PRESSURE (M9, M10)	
301	0130F00443	SWITCH, PRESSURE (M11, M12, M15, M16)	
301	0130F00445	SWITCH, PRESSURE (M17, M18)	
311	0161F00042	JUNCTION BOX PLA	
331	0161F00043	JUNCTION BOX LID	
611	0163M00460	CLAMP-HOSE (QTY 2)	
791	0154F00015	GASKET (QTY 2)	
811	0154F00014	GASKET (M7, M8, M9, M10)	
811	0154F00016	GASKET (M11, M12, M13, M14, M15, M16)	
811	0154F00064	GASKET (M1, M2, M3, M4, M5, M6)	
811	20194607	GASKET (M17, M18)	
991	0121F00389	BRACKET, DOOR SWITCH	
NS	0160F00025	INSULATION, HT EXCHANGER (M1, M2, M3, M4, M5, M6)	

Expanded Model Nomenclature

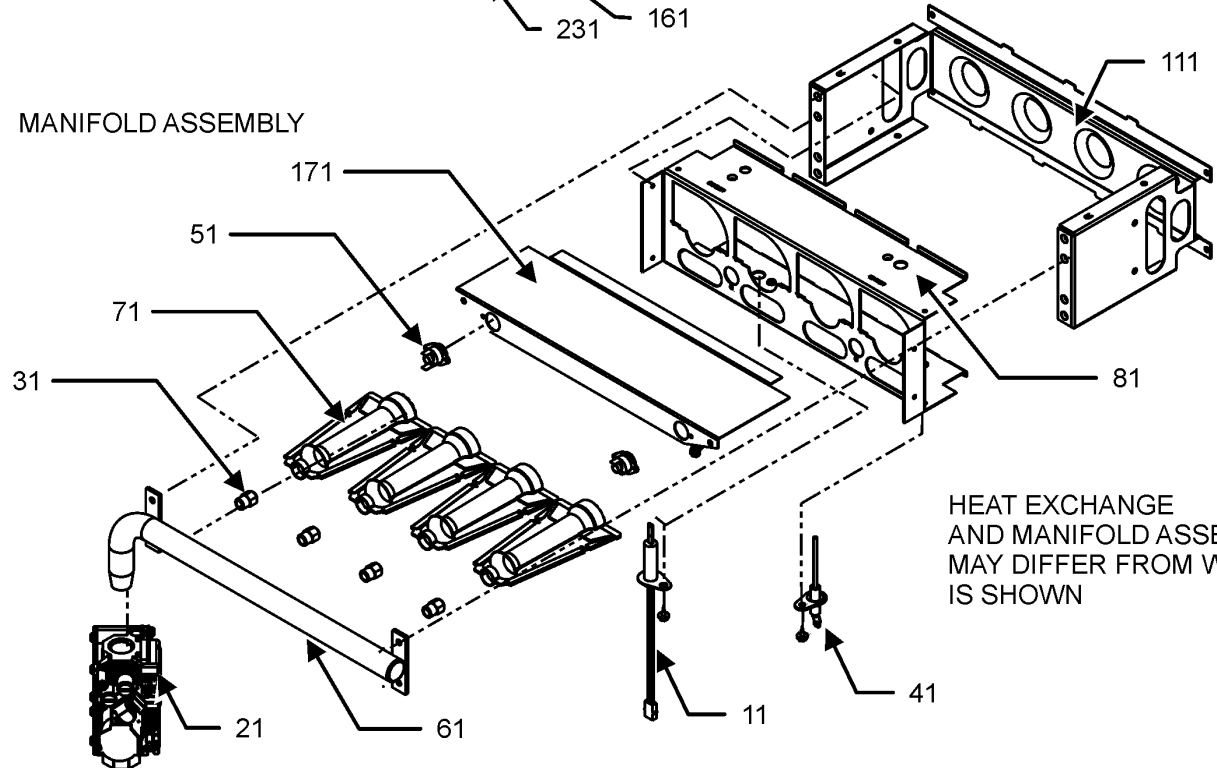
M1 - GM9C960303ANAA
M2 - GM9C960303ANAB
M3 - GM9C960403ANAA
M4 - GM9C960403ANAB
M5 - GM9C960603ANAA
M6 - GM9C960603ANAB
M7 - GM9C960603BNAA
M8 - GM9C960603BNAB
M9 - GM9C960803BNAA
M10 - GM9C960803BNAB
M11 - GM9C960804CNAA
M12 - GM9C960804CNAB
M13 - GM9C961004CNAA
M14 - GM9C961004CNAB
M15 - GM9C961005CNAA
M16 - GM9C961005CNAB
M17 - GM9C961205DNAA
M18 - GM9C961205DNAB

Heat Exchange and Manifold Assembly

HEAT EXCHANGE ASSEMBLY



MANIFOLD ASSEMBLY



Heat Exchange and Manifold Assembly

Ref. Part No: No:	Description:	Ref. Part No: No:	Description:
Image 1:		Image 1:	
11	0130F00008	171	0121F00540
	IGNITOR-SINI 17 SEC		SHEILD, BURNER (M7, M8)
21	0151M00027	171	0121F00541
	GAS VALVE		SHEILD, BURNER (M9, M10, M11, M12)
31	0163F00019	171	0121F00542
	ORIFICE (M1, M2)		SHEILD, BURNER (M13, M14, M15, M16)
31	10716005	171	0121F00543
	ORIFICE (M3, M4, M5, M6, M7, M8, M9, M10, M11, M12, M13, M14, M15, M16, M17, M18)		SHEILD, BURNER (M17, M18)
41	0130F00010	171	0121F00755
	FLAME SENSOR		SHIELD, BURNER (M1, M2, M3, M4)
51	0130F00123	171	0121F00758
	MANUAL RESET LIMIT - ROS (M9, M10)		SHIELD, BURNER (M5, M6)
51	10123517	181	0154F00043
	MANUAL RESET LIMIT - ROS (M5, M6)		GASKET ID BLOWER
51	10123527	231	A1781105
	MANUAL RESET LIMIT - ROS (M17, M18)		CAP-VINYL .500
51	10123534	261	0121F00317
	MANUAL RESET LIMIT - ROS (M13, M14, M15, M16)		COVER, REAR (M7, M8, M9, M10)
51	10123538	261	0121F00318
	MANUAL RESET LIMIT - ROS (M1, M2, M3, M4)		COVER, REAR (M11, M12, M13, M14, M15, M16)
51	10123539	261	0121F00319
	MANUAL RESET LIMIT - ROS (M7, M8, M11, M12)		COVER, REAR (M17, M18)
61	0163F00007	261	0121F00670
	MANIFOLD (M1, M2, M3, M4)		COVER, REAR (M1, M2, M3, M4, M5, M6)
61	0163F00008	271	0154F00058
	MANIFOLD (M7, M8)		GASKET REAR CVR (M1, M2, M3, M4, M5, M6)
61	0163F00009	271	0154F00037
	MANIFOLD (M11, M12)		GASKET, REAR CVR (M7, M8, M9, M10)
61	0163F00010	271	0154F00038
	MANIFOLD (M13, M14, M15, M16)		GASKET, REAR CVR (M11, M12, M13, M14, M15, M16)
61	0163F00011	271	0154F00039
	MANIFOLD (M17, M18)		GASKET, REAR CVR (M17, M18)
61	0163F00014	371	20162904
	MANIFOLD (M9, M10)		*PRIMARY LIMIT-TEMPERATURE CONTROL (M9, M10, M11, M12)
61	0163F00037		
	MANIFOLD, 3B (M5, M6)		
71	0163F00017	371	20162903
	BECKETT BURNER (QTY 2)		PRIMARY LIMIT - BLUE (M1, M2, M3, M4, M5, M6, M15, M16)
81	0121F00456		
	BRACKET-BURNER 2 (M1, M2, M3, M4)		
81	0121F00455	371	0130F00036
	BRACKET-BURNER 3 (M5, M6, M7, M8)		PRIMARY LIMIT - PINK 180° (M17, M18)
81	0121F00454	371	20162906
	BRACKET-BURNER 4 (M9, M10, M11, M12)		PRIMARY LIMIT - WHITE (M7, M8, M13, M14)
81	0121F00453	NS	0121F00582
	BRACKET-BURNER 5 (M13, M14, M15, M16)		INSULATION, RETAINER (M1, M2, M3, M4, M5, M6)
81	0121F00451	NS	0121F00583
	BRACKET-BURNER 6 (M17, M18)		INSULATION, RETAINER (M7, M8, M9, M10)
111	0121F00469	NS	0121F00584
	ORIFICE BRACKET-BURNER 2 (M1, M2, M3, M4)		INSULATION, RETAINER (M11, M12, M13, M14, M15, M16)
111	0121F00468		
	ORIFICE BRACKET-BURNER 3 (M5, M6, M7, M8)		
111	0121F00467	NS	0121F00585
	ORIFICE BRACKET-BURNER 4 (M9, M10, M11, M12)		INSULATION, RETAINER (M17, M18)
111	0121F00466	NS	0121F00439
	ORIFICE BRACKET-BURNER 5 (M13, M14, M15, M16)		PRIMARY LIMIT-HEAT SHIELD
111	0121F00465	NS	0121F00355
	ORIFICE BRACKET-BURNER 6 (M17, M18)		SHIELD, COIL (QTY 2)
131	0161F00072	Expanded Model Nomenclature	
	COVER FRONT (M15, M16)	M1 - GM9C960303ANAA	
131	0161F00024	M2 - GM9C960303ANAB	
	COVER, FRONT (M9, M10)	M3 - GM9C960403ANAA	
131	0161F00030	M4 - GM9C960403ANAB	
	COVER, FRONT (M11, M12)	M5 - GM9C960603ANAA	
131	0161F00054	M6 - GM9C960603ANAB	
	COVER, FRONT (M7, M8)	M7 - GM9C960603BNA A	
131	0161F00063	M8 - GM9C960603BNAB	
	COVER, FRONT (M17, M18)	M9 - GM9C960803BNA A	
131	0161F00081	M10 - GM9C960803BNAB	
	COVER, FRONT (M1, M2)	M11 - GM9C960804CNA A	
131	0161F00082	M12 - GM9C960804CNAB	
	COVER, FRONT (M3, M4)	M13 - GM9C961004CNA A	
131	0161F00083	M14 - GM9C961004CNAB	
	COVER, FRONT (M5, M6)	M15 - GM9C961005CNA A	
131	0161F00065	M16 - GM9C961005CNAB	
	COVER,FRONT (M13, M14)	M17 - GM9C961205DNA A	
141	0154F00026	M18 - GM9C961205DNAB	
	GASKET FRONT COVER (M7, M8, M9, M10)		
141	0154F00030		
	GASKET FRONT COVER (M11, M12, M13, M14, M15, M16)		
141	0154F00034		
	GASKET FRONT COVER (M17, M18)		
141	0154F00062		
	GASKET FRONT COVER (M1, M2, M3, M4, M5, M6)		
151	0257F00442		
	ASSY, HEAT EXCHANGER (M3, M4)		
151	0257F00444		
	ASSY, HEAT EXCHANGER (M1, M2)		
151	0257F00445		
	ASSY, HEAT EXCHANGER (M5, M6)		
151	0257F00240		
	HEAT EXCHANGER ASSY (M11, M12)		
151	0257F00333		
	HEAT EXCHANGER ASSY (M17, M18)		
151	0257F00374		
	HEAT EXCHANGER ASSY (M7, M8)		
151	0257F00379		
	HEAT EXCHANGER ASSY (M9, M10)		
151	0257F00393		
	HEAT EXCHANGER ASSY (M13, M14)		
151	0257F00396		
	HEAT EXCHANGER ASSY (M15, M16)		
161	M0326804		
	TUBE PLUG		